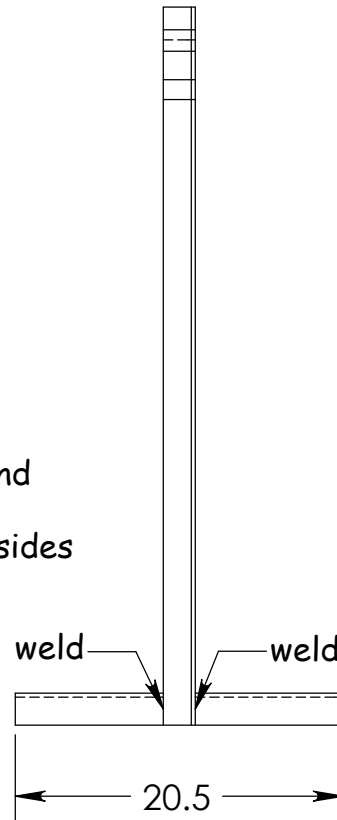
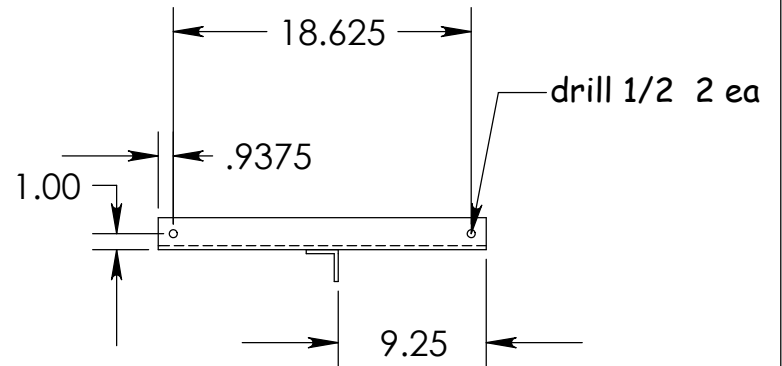


side view

cut and bend
to 45 deg
weld both sides



front view



Top view

PROPRIETARY AND CONFIDENTIAL
THE INFORMATION CONTAINED IN THIS DRAWING IS PROVIDED FREE BY THE TIRED IRON MILITARY VEHICLE CLUB AND MAY BE USED BY ANYONE WITHOUT PERMISSION

		DIMENSIONS ARE IN INCHES TOLERANCES: FRACTIONAL $\pm 1/64$ ANGULAR: MACH \pm BEND \pm TWO PLACE DECIMAL $\pm .010$ THREE PLACE DECIMAL $\pm .005$		NAME	DATE	TIRED IRON MILITARY VEHICLE CLUB 1/4 ton truck cable-cutter
		MATERIAL		DRAWN	12/24/03	
		FINISH		CHECKED		
		NEXT ASSY USED ON		ENG APPR.		
		APPLICATION		MFG APPR.		
		DO NOT SCALE DRAWING		Q.A.		SIZE DWG. NO. REV. A TIMVC-001
				COMMENTS: When Bolting to bumper, a spacer is required under rear of lifting shackle bracket		
				SCALE:1:12	WEIGHT:	